

# POWERFLEX®

PART NUMBER

## PFR44-105

DESCRIPTION

### FRONT UPPER ENGINE/TRANS MOUNT

#### INSTALLATION GUIDE

##### Contents (parts per pack):

4 x Polyurethane Bushes

2 x Stainless Steel Sleeves

1 x PTFE/Silicone Grease

Please read the complete fitting instructions and check package components before fitment. These fitting instructions are to be used as a guide and in conjunction with workshop manual.

It is recommended that:

- all work to be carried out by a licensed technician;
- all safety precautions adhered to;
- wheel alignment to be checked and adjusted as required after any suspension work.
- All fasteners must be tensioned to manufacturer's torque settings.



##### Fitting Instructions:

1. Support the engine with a trolley jack and remove the engine mount from the vehicle.
2. Remove the original rubber bush including its outer shell from the mount.
3. Clean any dirt and corrosion from the bore of the mount, removing any sharp edges or burrs from around the mouth of the mount with a rounded file.
4. Insert the bushes into the mount with the offset hole at its lowest point as shown in Fig 2. The flat on the bush is to allow clearance on the mount.
5. Apply some of the supplied grease to the bore of the PU bush and insert the stainless steel sleeve.
6. Refit the mount to the engine/vehicle and tension all hardware to the manufacturer's recommended torque settings.
7. Remove the supporting jack.

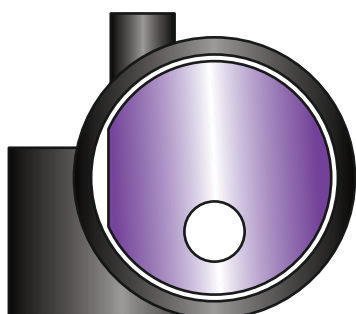


Figure 2

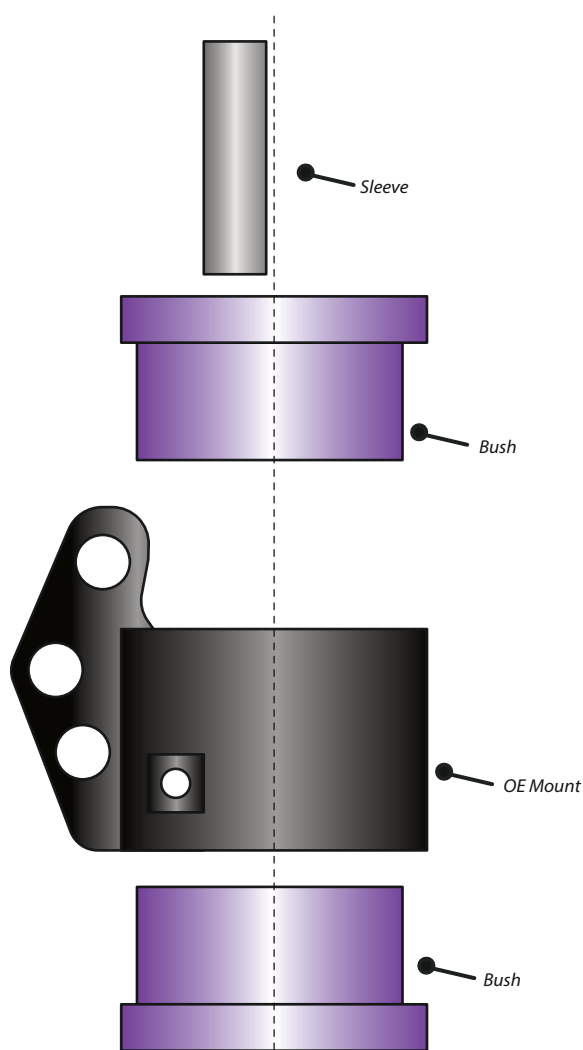


Figure 1