

POWERFLEX®

PART NUMBER

PFF3-201

DESCRIPTION

FRONT LOWER SHOCK MOUNT

INSTALLATION GUIDE

Contents (parts per pack):

2 x Polyurethane Bushes 2 x Steel Outer Shells
2 x Stainless Steel Sleeves 4 x Mild Steel Washers
1 x PTFE/Silicone Grease

Please read the complete fitting instructions and check package components before fitment. These fitting instructions are to be used as a guide and in conjunction with workshop manual.

It is recommended that:

- all work to be carried out by a licensed technician;
- all safety precautions adhered to;
- wheel alignment to be checked and adjusted as required after any suspension work.
- All fasteners must be tensioned to manufacturer's torque settings.

Fitting Instructions:

1. Remove the original rubber bush from the front control arm including the outer shell.
2. Clean any dirt and corrosion from the bore in the arm. Using a file, remove any sharp edges from around the bore of the arm creating a small chamfer.
3. Press the outer shell and bush assembly into the arm as shown in Fig 1. This can be in either direction as the bush is centred in the arm either way.
4. Apply some of the supplied grease to the bore and end faces of each bush.
5. Insert the stainless steel sleeve into the bore of the bush.
6. At the point of presenting the arm to the vehicle and reattaching the damper, place the plated washers onto the end face of each bush so they sit between the bush and damper for added support.
7. Refit the control arm to the vehicle and tension all hardware to the manufacturer's recommended torque settings.

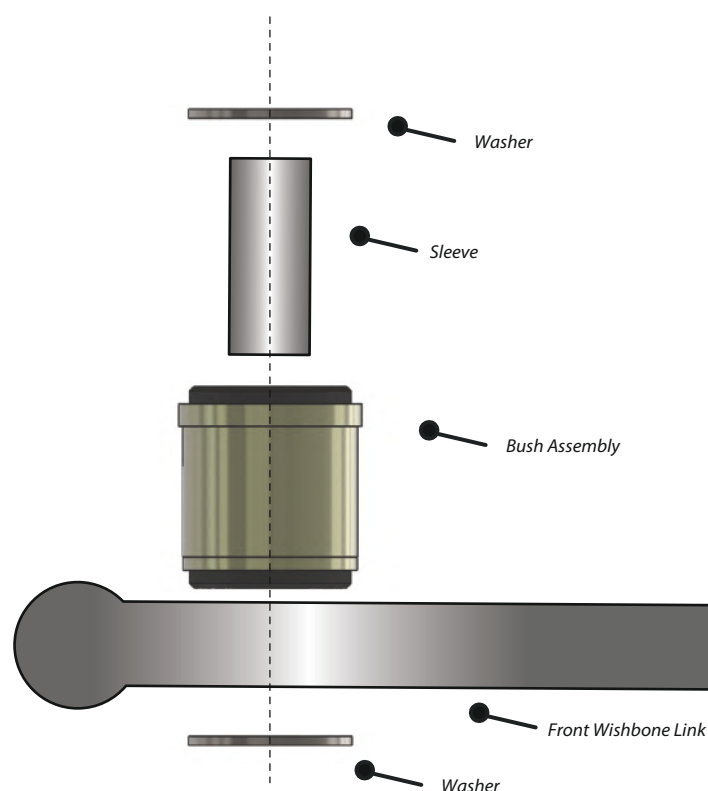


Figure 1